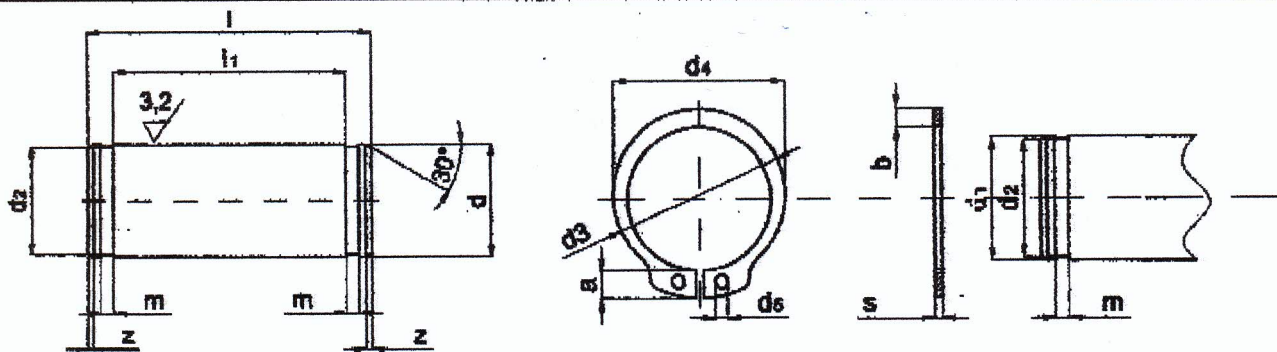


| Denominazione | Alesaggio d1 | g | a1 | a2 | b1 | b2 | d2 | d3 | f | l1 | l2 | l3 | r | peso = (kg) |
|---------------|--------------|----|--------------|------------|-----|----|----|-----------|-----------|-----------|-----|-----------|------|----------------|
| | | | | $+0,3$ | | | | | | | | | | |
| | | | H9 $\pm 0,5$ | h11 $0,16$ | B13 | | 6H | $\pm 0,3$ | $\pm 0,2$ | $\pm 0,5$ | | $\pm 0,2$ | | |
| G40X84 FG | 250 | 40 | 84 | 85 | 85 | 40 | 40 | M42x2,00 | 70 | 3,0 | 232 | 168 | 63,5 | 5,0 5,300 |
| G42X84 FG | 250 | 42 | 84 | 85 | 85 | 42 | 42 | M42x2,00 | 70 | 3,0 | 232 | 168 | 63,5 | 5,0 5,300 |
| G50X96 FG | | 50 | 96 | 96 | 96 | 50 | 50 | M48x2,00 | 82 | 3,0 | 265 | 192 | 73 | 5,0 7,900 |



| Denominazione | d1 | l1 | d2 | z | m | peso = (kg) |
|---------------|-----|-------|--------|-----|--------|----------------|
| | | | $+0,4$ | | | |
| | h11 | 0 | h11 | 0 | = h13 | |
| PI40 | 40 | 104,3 | 37,5 | 89 | 2 1,85 | 1,020 |
| PI42 | 42 | 104,3 | 39,5 | 89 | 2 1,85 | 1,100 |
| PI50 | 50 | 117,3 | 47,0 | 100 | 2 2,15 | 1,720 |

| Denominazione | s | d3 | d4 | d5 | a | b |
|---------------|------|------|------|------|-----|-----|
| | | | | | | |
| | h11 | = | min. | max. | = | |
| SE40 | 1,75 | 36,5 | 52,6 | 2,5 | 6,0 | 4,4 |
| SE42 | 1,75 | 38,5 | 55,7 | 2,5 | 6,5 | 4,5 |
| SE50 | 2,00 | 45,8 | 64,5 | 2,5 | 6,9 | 5,1 |